

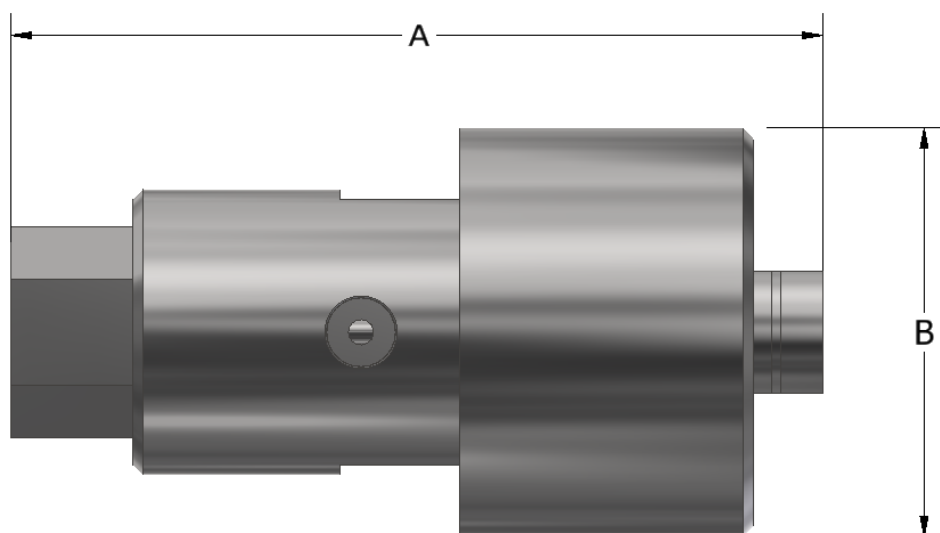


## OPERATION

The Ruelco RD-1 is a 2-way normally open hydraulic controller that acts as a snap acting vent valve on loss of pilot pressure. This configuration of the Ruelco Dump Valve permits control of hydraulic pressure up to 10,000 psi with a pilot supply of 100 psi. Minimum recommended pilot pressure is 30 psi. A high ratio of hydraulic pressure to pilot control pressure ensures safe operation. A soft seal design ensures zero leakage in the hydraulic section. The internal spring and the hydraulic pressure acting on the spool area are jointly responsible for opening the valve, although each on its own provides sufficient force to open the valve. Ruggedly constructed stainless steel process wetted parts provide years of reliable service and the compact and simple design makes field maintenance easy.

## FEATURES

- Stainless steel construction
- 1/4" NPT port connections
- Large Cv factor assures fast system response
- Small compact design



## DIMENSIONS

A	4.95" (125.7 mm)
B	2.5" (63.5 mm)
PILOT CONNECTION PORT	1/4" FNPT
HYDRAULIC CONNECTION PORTS	1/4" FNPT
WEIGHT	3.5 lb (1.59 KG)

2-WAY N.O. HYDRAULIC CONTROLLER

PHONE: 504-340-0055  
FAX: 504-340-0056  
EMAIL: SALES@RUELCO.COM

1209 DISTRIBUTORS ROW  
NEW ORLEANS, LA 70123



Proudly Distributed By

**TRIDENT** AUSTRALIA  
FLUID SYSTEMS & COMPONENTS

## PARTS LIST

ITEM	QUANTITY	DESCRIPTION	MATERIAL
1	1	CAP	316 ST. STL.
2	1	LOCK NUT	316 ST. STL.
3*	1	O-RING	FLUOROCARBON
4*	1	O-RING	FLUOROCARBON
5	1	PISTON	316 ST. STL.
6	1	SPRING	INCONEL
7*	1	O-RING	FLUOROCARBON
8	1	BODY	316 ST. STL.
9	1	SPOOL	316 ST. STL.
10*	1	POLYPAK	FLUOROMYTE
11*	1	O-RING	FLUOROCARBON
12*	1	BACKUP	TEFLON
13	1	HEX PLUG	316 ST. STL.

\*Indicates item(s) contained in the Repair Kit

## SPECIFICATIONS

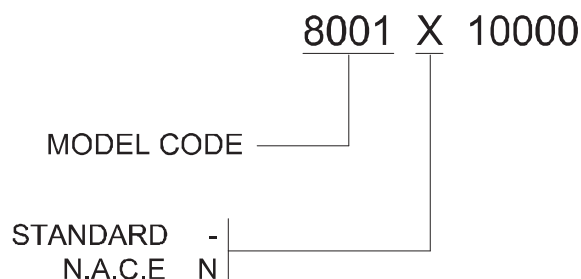
MAXIMUM PILOT PRESSURE	200 PSI (13.8 BAR)
MAXIMUM CONTROL PRESSURE	10,000 PSI (690 BAR)
Cv FACTOR	.25
AMBIENT TEMPERATURE RANGE	-20° to 250°F -29° to 121° C

## REPAIR KIT

- 80-007-000

OTHER TEMPERATURE RANGES  
AND SEAL COMPOUNDS AVAILABLE  
UPON REQUEST

## ORDERING CODE



PHONE: 504-340-0055  
FAX: 504-340-0056  
EMAIL: SALES@RUELCO.COM

1209 DISTRIBUTORS ROW  
NEW ORLEANS, LA 70123

**2-WAY N.O. HYDRAULIC CONTROLLER**

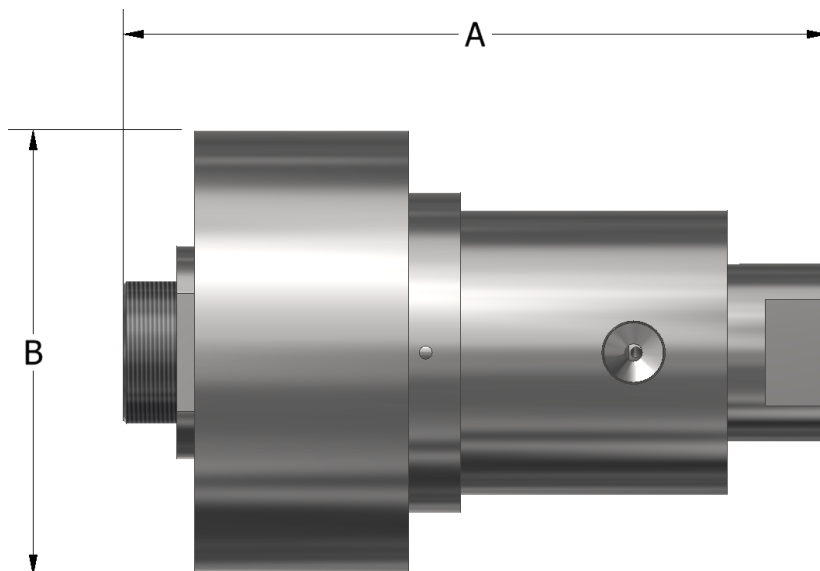


## OPERATION

The Ruelco RD-2 is a 2-way normally closed hydraulic controller that acts as a snap acting vent valve with application of pilot pressure. This configuration of the Ruelco Dump Valve permits control of hydraulic pressure up to 10,000 psi with a pilot supply of 100 psi. Minimum recommended pilot pressure is 30 psi. A high ratio of hydraulic pressure to pilot control pressure ensures safe operation. A soft seal design ensures zero leakage in the hydraulic section. The internal spring and the hydraulic pressure acting on the spool area are jointly responsible for opening the valve, although each on its own provides sufficient force to open the valve. Ruggedly constructed stainless steel process wetted parts provide years of reliable service and the compact and simple design makes field maintenance easy.

## FEATURES

- Stainless steel construction
- 1/4" NPT port connections
- Large Cv factor assures fast system response
- Small compact design



## DIMENSIONS

A	4.95" (125.7 mm)
B	3.125" (79.38 mm)
PANEL HOE SIZE	1.0" (25.4 mm)
PILOT CONNECTION PORT	1/4" FNPT
HYDRAULIC CONNECTION PORTS	1/4" FNPT
WEIGHT	5.20 lb (2.36 KG)

PHONE: 504-340-0055  
FAX: 504-340-0056  
EMAIL: SALES@RUELCO.COM

1209 DISTRIBUTORS ROW  
NEW ORLEANS, LA 70123

2-WAY N.C. HYDRAULIC CONTROLLER



## PARTS LIST

ITEM	QUANTITY	DESCRIPTION	MATERIAL
1	1	CAP	316 ST. STL.
2*	1	PISTON SEAL	FLUOROCARBON
3	1	SPOOL ASSEMBLY	17-4 ST. STL. & 316 ST. STL.
4	1	PISTON SPRING	316 ST. STL.
5	1	BODY	316 ST. STL.
6*	1	SHAFT SEAL	FLUOROMYTE
7*	1	SHAFT SEAL BACKUP	PEEK
8*	2	SLEEVE BACK-UP SEAL	TEFLON
9*	2	SLEEVE SEAL	NITRILE
10	1	SLEEVE	316 ST. STL.
11*	1	CENTER SEAL	PEEK
12*	1	BALL	TUNGSTEN CARBIDE
13	1	BOTTOM SLEEVE	316 ST. STL.
14	1	SPRING	316 ST. STL.
15*	1	BOTTOM CAP SEAL	NITRILE
16	1	BOTTOM CAP	316 ST. STL.

\*Indicates item(s) contained in the Repair Kit

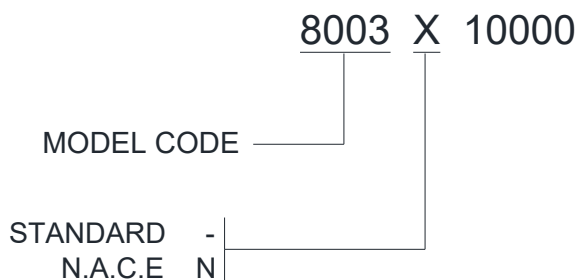
## SPECIFICATIONS

MAXIMUM PILOT PRESSURE	200 PSI (13.8 BAR)
MAXIMUM CONTROL PRESSURE	10,000 PSI (690 BAR)
Cv FACTOR	.26
AMBIENT TEMPERATURE RANGE	-20° to 250°F -29° to 121° C

## REPAIR KIT

- 80-023-000
- OTHER TEMPERATURE RANGES  
AND SEAL COMPOUNDS AVAILABLE  
UPON REQUEST

## ORDERING CODE



PHONE: 504-340-0055  
FAX: 504-340-0056  
EMAIL: SALES@RUELCO.COM

1209 DISTRIBUTORS ROW  
NEW ORLEANS, LA 70123

2-WAY N.C. HYDRAULIC CONTROLLER



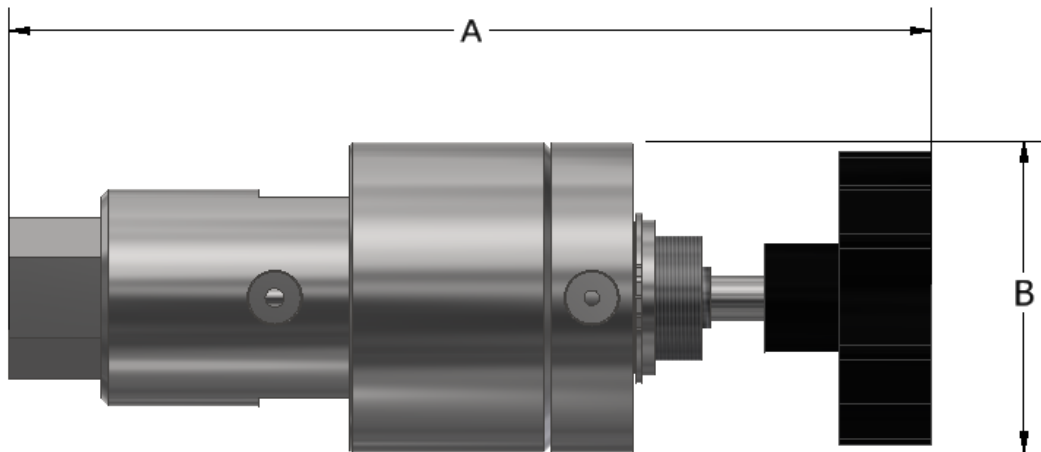
## OPERATION

The Ruelco RD-1 is a 2-way normally open hydraulic controller which can be manually locked in place and kept open with the presence of a low pressure pilot signal. In its automatic state, the valve is a snap acting vent valve on loss of pilot pressure. This configuration of the Ruelco Dump Valve permits control of hydraulic pressure up to 10,000 psi with pilot supply of up to 200 psi. The unique pilot supply design allows for 360 degree of movement in order to properly and easily connect the pilot supply to the valve. A soft seal design ensures zero leakage in the hydraulic section of the valve. Ruggedly constructed stainless steel process wetted parts provide years of reliable service and the compact and simple design makes field maintenance easy.

## FEATURES

- Stainless steel construction
- 1/4" NPT port connections
- Large Cv factor assures fast system response
- Small compact design

2-WAY OVERRIDE HYDRAULIC CONTROLLER



## DIMENSIONS

A	6.85" (174 mm)
B	2.50" (63.5 mm)
PILOT CONNECTION PORT	1/4" FNPT
HYDRAULIC CONNECTION PORTS	1/4" FNPT
WEIGHT	4.00 lb (1.81 KG)

## SPECIFICATIONS

MAXIMUM PILOT PRESSURE	200 PSI (13.8 BAR)
MAXIMUM CONTROL PRESSURE	10,000 PSI (690 BAR)
Cv FACTOR	.25
AMBIENT TEMPERATURE RANGE	-20° to 250°F -29° to 121° C

PHONE: 504-340-0055  
FAX: 504-340-0056  
EMAIL: SALES@RUELCO.COM

1209 DISTRIBUTORS ROW  
NEW ORLEANS, LA 70123



Proudly Distributed By

**TRIDENT** AUSTRALIA  
FLUID SYSTEMS & COMPONENTS

## PARTS LIST

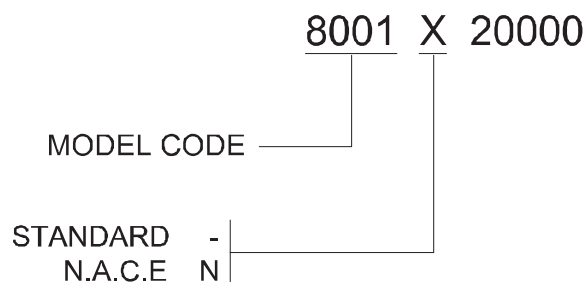
ITEM	QUANTITY	DESCRIPTION	MATERIAL
1	1	KNOB	THERMOPLASTIC
2	1	OVERRIDE	316 ST. STL.
3	1	SNAP RING	316 ST. STL.
4*	2	O-RING	FLUOROCARBON
5	1	AIR RING	316 ST. STL.
6	1	LOCK NUT	316 ST. STL.
7	1	PISTON	316 ST. STL.
8	1	SPOOL	316 ST. STL.
9*	1	O-RING	FLUOROCARBON
10	1	BODY	316 ST. STL.
11*	1	POLYPAK	FLUOROMYTE
12*	1	O-RING	FLUOROCARBON
13*	1	BACKUP	TEFLON
14	1	HEX PLUG	316 ST. STL.
15*	1	O-RING	FLUOROCARBON
16*	1	O-RING	FLUOROCARBON
17*	1	O-RING	FLUOROCARBON
18	1	SPRING	INCONEL
19	1	CAP	316 ST. STL.

\*Indicates item(s) contained in the Repair Kit

## REPAIR KIT

- 80-015-000 OTHER TEMPERATURE RANGES AND SEAL COMPOUNDS AVAILABLE UPON REQUEST

## ORDERING CODE



PHONE: 504-340-0055  
FAX: 504-340-0056  
EMAIL: SALES@RUELCO.COM

1209 DISTRIBUTORS ROW  
NEW ORLEANS, LA 70123

2-WAY OVERRIDE HYDRAULIC CONTROLLER



Proudly Distributed By

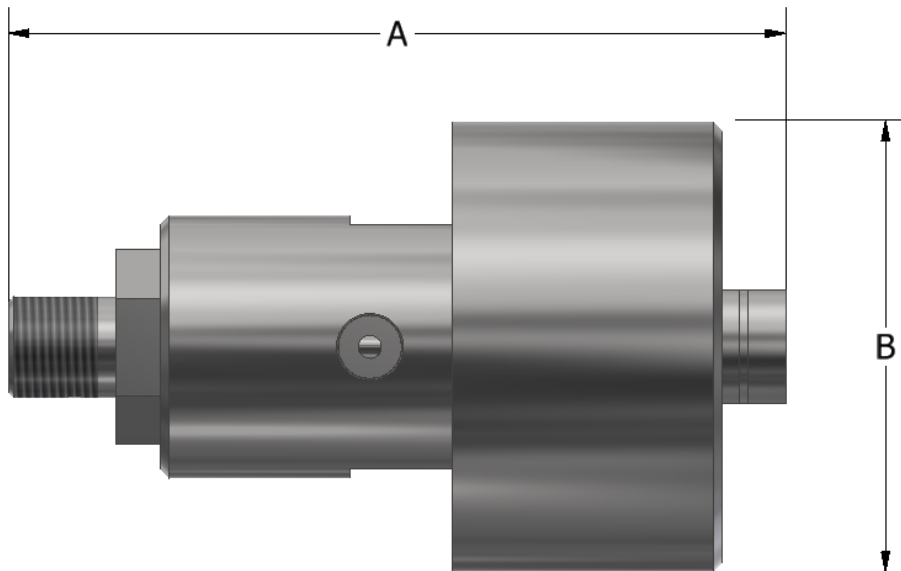
**TRIDENT** AUSTRALIA  
FLUID SYSTEMS & COMPONENTS

## OPERATION

The Ruelco RD-H is a 2-way normally open, high pilot pressure hydraulic controller that acts as a snap acting vent valve on loss of pilot pressure. This configuration of the Ruelco Dump Valve permits control of hydraulic pressure up to 10,000 psi with pilot supply of up to 5,000 psi. A soft seal design ensures zero leakage in the hydraulic section of the valve. Ruggedly constructed stainless steel process wetted parts provide years of reliable service and the compact and simple design makes field maintenance easy.

## FEATURES

- Stainless steel construction
- NPT port connections
- Large Cv factor assures fast system response
- Small compact design



## DIMENSIONS

A	5.52" (140.2 mm)
B	3.00" (76.2 mm)
PILOT CONNECTION PORT	1/4" FNPT
HYDRAULIC INLET PORT	3/8" MNPT
HYDRAULIC EXHAUST PORT	1/4" FNPT
WEIGHT	3.75 LB (1.7 KG)

PHONE: 504-340-0055  
FAX: 504-340-0056  
EMAIL: SALES@RUELCO.COM

1209 DISTRIBUTORS ROW  
NEW ORLEANS, LA 70123

2-WAY HIGH PILOT HYD. CONTROLLER



Proudly Distributed By

**TRIDENT** AUSTRALIA  
FLUID SYSTEMS & COMPONENTS

## PARTS LIST

ITEM	QUANTITY	DESCRIPTION	MATERIAL
1	1	CAP	316 ST. STL.
2	1	LOCK NUT	316 ST. STL.
3*	1	O-RING	FLUOROCARBON
4*	1	O-RING	FLUOROCARBON
5	1	PISTON	316 ST. STL.
6	1	SPRING	INCONEL
7*	1	O-RING	FLUOROCARBON
8	1	BODY	316 ST. STL.
9	1	SPOOL	316 ST. STL.
10*	1	POLYPAK	FLUOROMYTE
11*	1	O-RING	FLUOROCARBON
12*	1	BACKUP	TEFLON
13	1	HEX PLUG	316 ST. STL.

\*Indicates item(s) contained in the Repair Kit

## SPECIFICATIONS

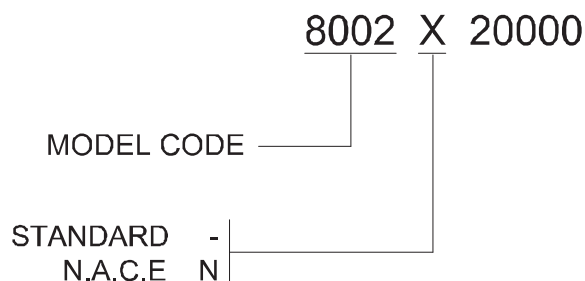
MAXIMUM PILOT PRESSURE	5,000 PSI (347 BAR)
MAXIMUM CONTROL PRESSURE	10,000 PSI (690 BAR)
Cv FACTOR	.25
AMBIENT TEMPERATURE RANGE	-20° to 250°F -29° to 121° C

## REPAIR KIT

- 80-007-000

OTHER TEMPERATURE RANGES  
AND SEAL COMPOUNDS AVAILABLE  
UPON REQUEST

## ORDERING CODE



PHONE: 504-340-0055  
FAX: 504-340-0056  
EMAIL: SALES@RUELCO.COM

1209 DISTRIBUTORS ROW  
NEW ORLEANS, LA 70123

2-WAY HIGH PILOT HYD. CONTROLLER